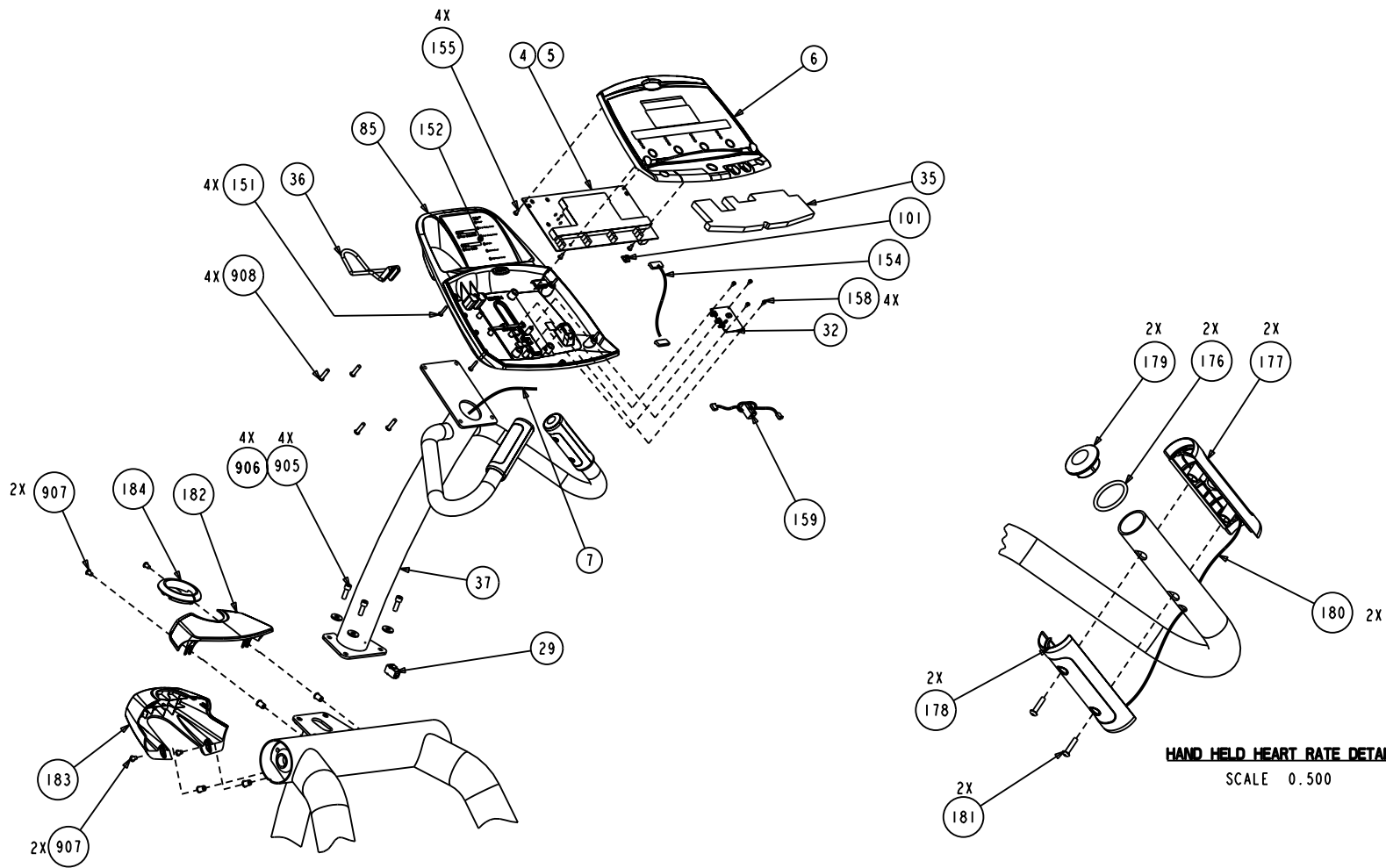
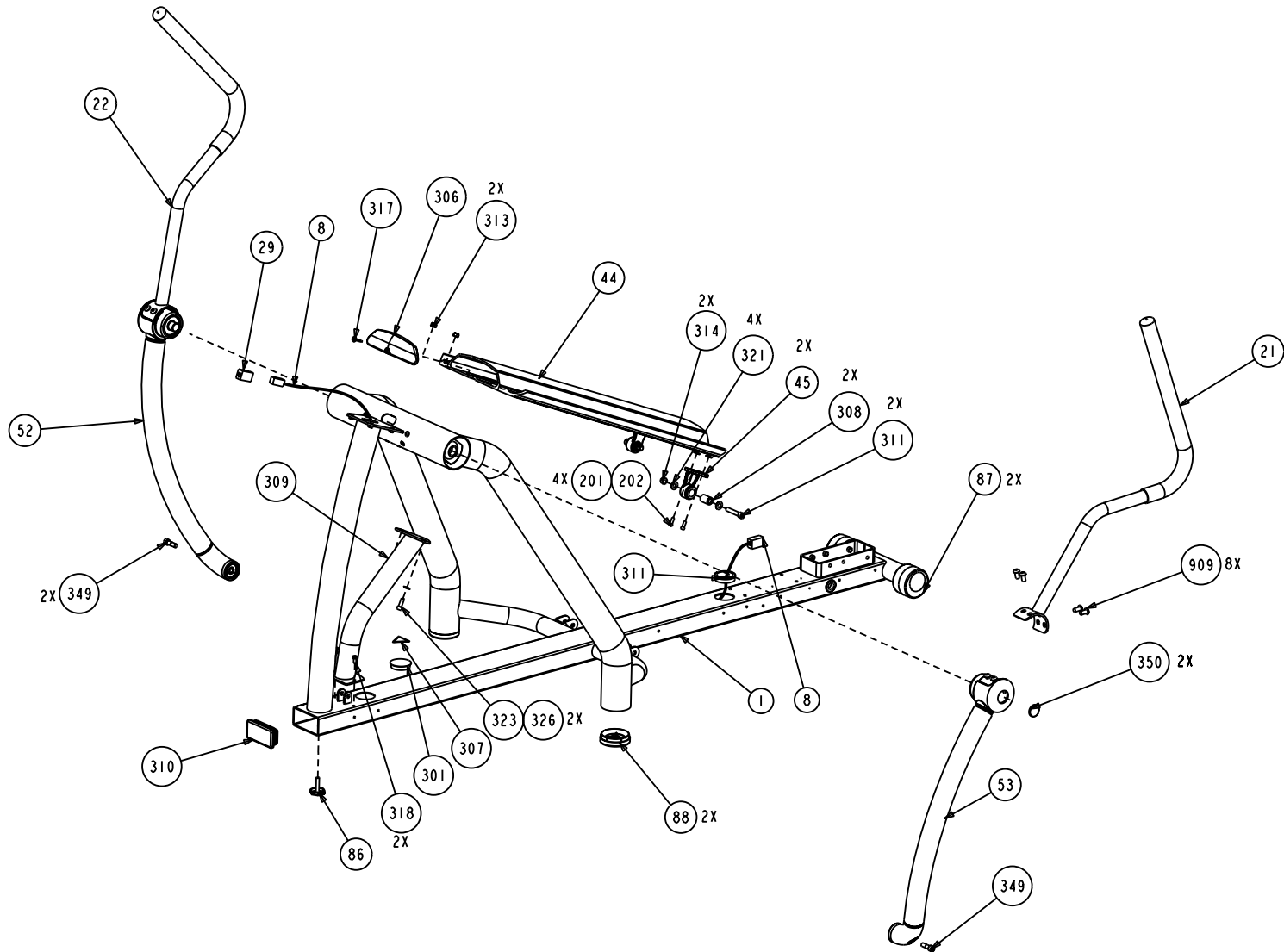


C556-NC	P/N: 43824-101	REV: G
DRAWN BY: GRANADOS IN	DATE: 06.13.02	SHEET 1 OF 6

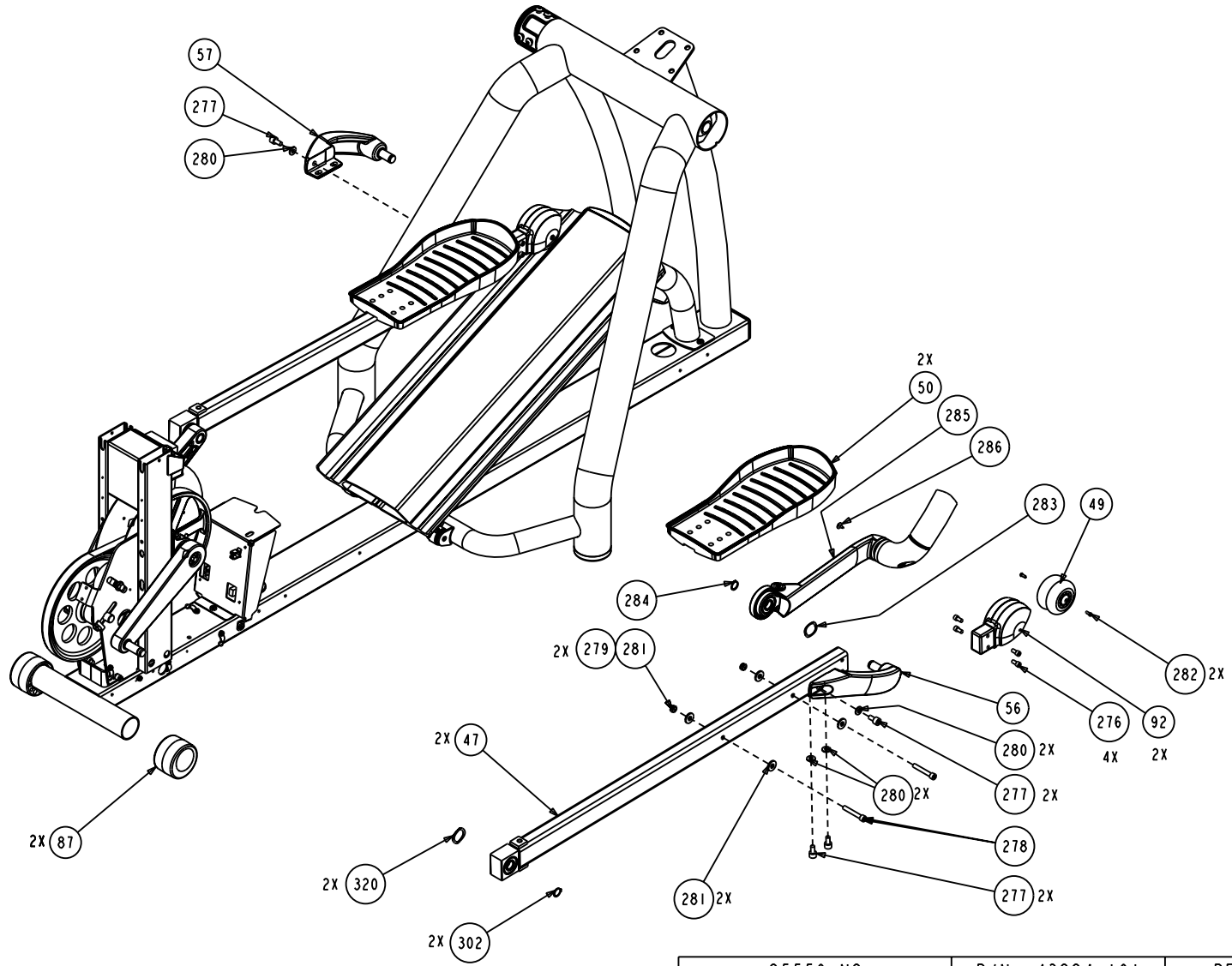


HAND HELD HEART RATE DETAIL
SCALE 0.500

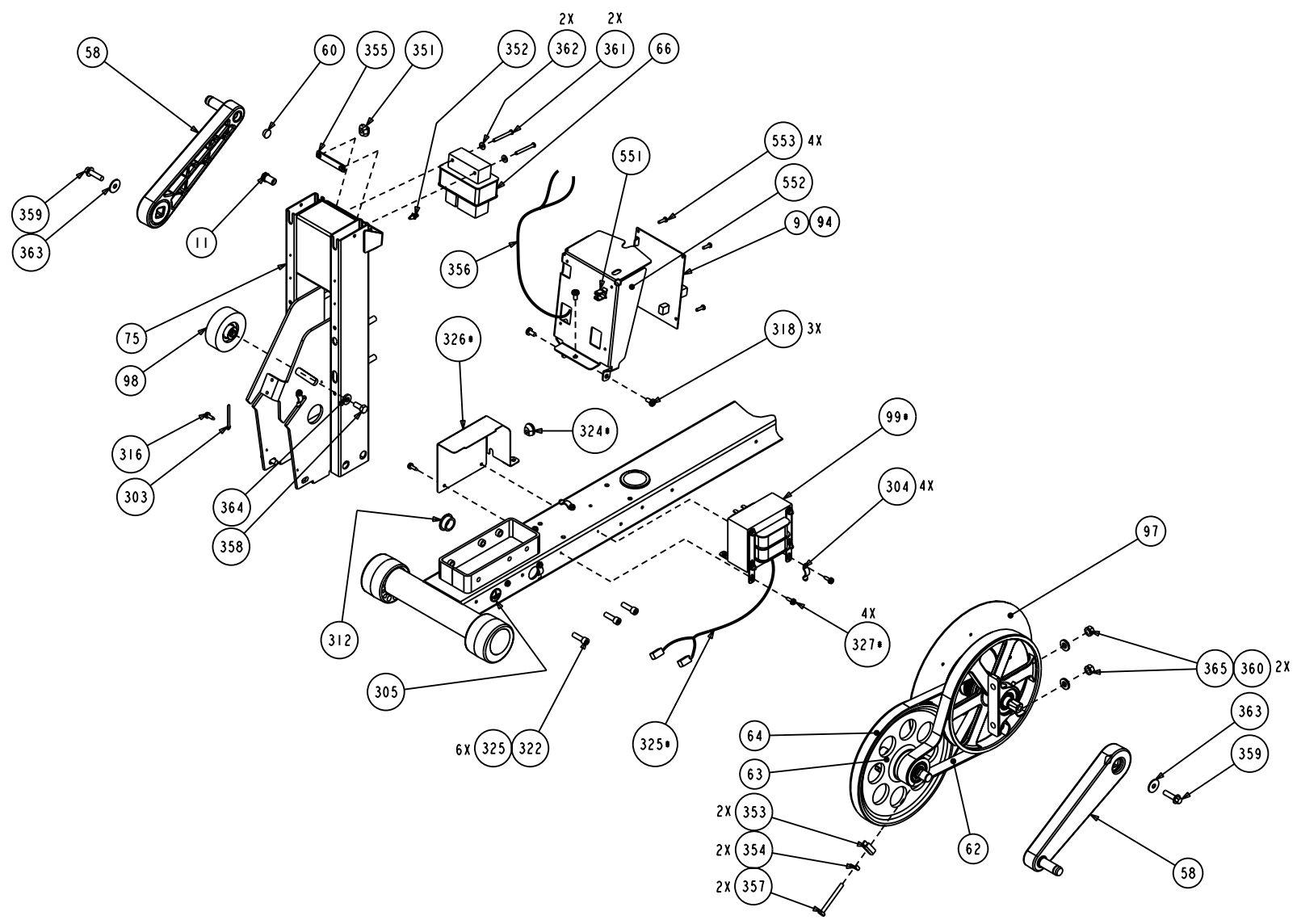
C556-NC	P/N: 43824-101	REV: G
DRAWN BY: GRANADOS IN	DATE: 06.13.02	SHEET 2 OF 6



C556-NC	P/N: 43824-101	REV: G
DRAWN BY: GRANADOS IN	DATE: 06.13.02	SHEET 3 OF 6

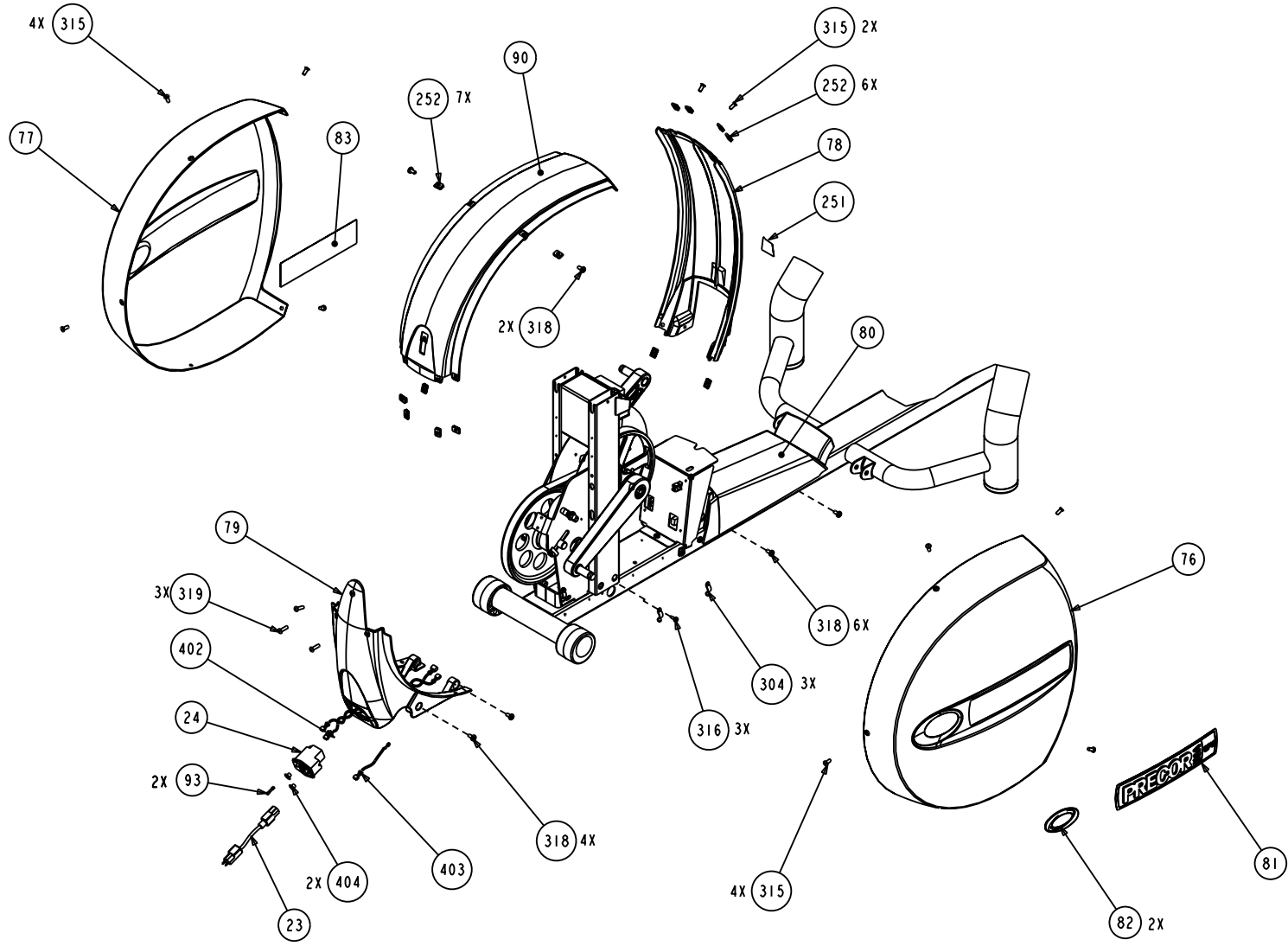


C5556-NC	P/N: 43824-101	REV: G
DRAWN BY: GRANADOSIN	DATE: 06.13.02	SHEET 4 OF 6



* = 240 VOLT OPTION ONLY.

C556-NC	P/N: 43824-101	REV: G
DRAWN BY: GRANADOS IN	DATE: 06.13.02	SHEET 5 OF 6



C556-NC	P/N: 43824-101	REV: G
DRAWN BY: GRANADOSIN	DATE: 06.13.02	SHEET 6 OF 6

Part Number	Description	Bubble Number
43770 - 105	WELDMENT, FRAME, 5X6, PT	1
39006 - 502	PCA,DISPLAY,C2	4
43080 - 507	ASSY,PCA&SW,C556,UPR	4A
43244-109	PROM,PGMD,C556,UPR,V1.09	5
43699 - 501	ASSY,DISPLAY,LABEL,ENG,556	6
44905 - 036	ASSY,CLB,MOD,8P8C,1-1,36"	7
44905 - 108	ASSY,CLB,MOD,8P8C,1-1,108"	8
43599 - 508	PCA,EFX,LWR,SERIAL	9
43165 - 503	ASSY,PCA&SW,C556,LWR	9A
44652 - 047	ASSY,SENSOR,HALL EFF,103SR11A,47"L	11
43158 - 101	ASSY,UPPER HANDLEBAR,LEFT	21
43158 - 102	ASSY,UPPER HANDLEBAR,RIGHT	22
10392 - 312	CORD,PWR,125VAC,10A,10.0FT,IEC DWN	23
12167 - 101	PWR ENTRY MOD & FILTER,250VAC,3A	24
45197 - 103	IC,CPU,PGMD,EFX556-C2(NC),LWR,V1.03	27
11415 - 102	CONN,MODULAR 8 CONTACT INLINE	29
43579 - 102	BOARD, HAND HELD HEART RATE	32
44411 - 101	TOUCH SENSOR SHIELD,23 KEY	35
43329 - 102	DISPLAY,WIRE FORM,PT	36
43572 - 201	WELDMENT,FRAME,UPPER, HHR, PT	37
43792 - 101	RAMP, MACHINED, C556-NC	44
43795 - 102	ASSY, PIVOT BLOCK	45
50571 - 103	KIT,ASSY, RAIL ARM PIVOT,C556	47
50578 - 101	ASSY, STAIRARM WHEEL AND AXLE	49
37314 - 107	PEDAL, FOOT	50
44774 - 101	ASSY. MAIN PIVOT, LEFT	52
11406 - 101	FOOT, LEVELER	53
44774 - 102	ASSY. MAIN PIVOT, RIGHT	53
38305 - 102	FOOT,FRAME,MOLDED	54
37534 - 102	FOOT, ADJUSTABLE	55
43240 - 102	ASSEMBLY, ARM, CONNECTOR, RIGH	56
43240 - 101	ASSEMBLY, ARM, CONNECTOR, LEFT	57
43457 - 101	CRANK ARM, W/POWDER METAL, INSERT	58
11286 - 101	MAGNET, NEODYMIUM 30, DIA=.50	60
10217 - 130	BELT, DRIVE, POLY V (DAYCO 27-0628)	62
43920 - 101	ASSY,STEP-UP PULLEY,NC,COMM EFX	63
10217 - 129	BELT, DRIVE, 360J10 POLY V	64
39314 - 101	ELECTROMAGNET,EC BRAKE,	66
44471 - 103	ASSY,DRIVE WELDNT,COM EFX	75
44527 - 106	ASSY, EFX COVER, RIGHT SIDE	76
44527 - 105	ASSY,EFX COVER,LEFT SIDE,C556NC	77
44479 - 101	ASSY, FRONT PANEL, EFX COVER, REAR	78
43707 - 101	SUPPORT, REAR COVER	79
43840 - 101	WEDGE, REAR COVER, EFX	80
43610 - 101	LABEL, EFX COVER, REAR	81
38215 - 103	LABEL,EFX LOGO,REAR COVER,DURO-LENZ	82
43701 - 501	LABEL,WIRING DIAG.,C546 SERIAL, OOH	83
43179 - 101	BACKPLATE, DISPLAY, COMMERCIAL	85
11406 - 101	FOOT, LEVELER	86
37534 - 102	FOOT, ADJUSTABLE	87
38305 - 102	FOOT,FRAME,MOLDED	88
44480 - 102	ASSY, TOP PANEL, EFX COVER, REAR	90

43702 - 502	WHEEL, COVER, 556, PT, OOH	92
12315 - 200	FUSE,2- ELEMENT,TIME-DELAY,	93
11075 - 105	FUSE,2.00A,250VAC,SLOW,RADIAL	94
50581 - 101	KIT, 546, 556 NC INPUT DRIVE ASSEMB	97
38320 - 102	IDLER,PULLEY	98
43840 - 101	WEDGE, REAR COVER, EFX	99
11311 - 101	ENDCAP, 4X2, 2.31/240	123
43329 - 101	DISPLAY,WIRE FORM	147
PMKN016 - 088	SCREW,TCS,#8X7/8,PHIL,BLK ZN,TYPE 2	151
43208 - 110	LABEL, ACCESSORY TRAY,ENG, 556	152
39029 - 501	ASSY,CABLE,TOUCHSENSOR	154
PGKN016 - 050	SCREW,S/T,#8X1/2,TRS,PHIL,BLK	155
44954 - 013	ASSY,CBL,HHHR TO DISPLAY,13"	156
MGCN013 - 025	SCREW,MCH,6-32X1/4,PANHD,PHIL,	158
MGKN013 - 025	SCREW,MCH,6-32X1/4,PANHD,PHIL,	158
44954 - 013	ASSY,CBL,HHHR TO DISPLAY,13"	159
10123 - 102	CABLE TIE,3-7/8 LONG,WHITE,NYL	160
10115 - 113	O-RING, ROUND, 1.25ID X .139	176
42713 - 102	HHHR SENSOR, TOP	177
42714 - 102	HHHR SENSOR,BOTTOM	178
42730 - 101	PLUG, HHHR, HANDLE BAR END	179
44650 - 040	ASSY, CABLE, HHHR PCA TO GRIP, 40"	180
TCNN016 - 075	SCREW, BTHD, 8-32X.75,SS	181
43175 - 102	COVER, CLAMP, UPPER	182
43176 - 101	COVER, CLAMP, LOWER	183
43177 - 101	GROMMET, CLAMP COVER	184
CAKN025 - 063	SCREW,SKHD,1/4-20X5/8,BLK ZN,LK	201
WPNN028 - 006	WASHER,ID=.276,OD=.5,THK=.060	202
WAGSN072 - 001	WASHER, WAVE .1.05 O.D., .755	250
44356 - 101	LABEL, CAUTION 5.33	251
10136 - 103	CLIP,U TYPE, TINNEMAN, 1/4-20	252
50583 - 101	CS KIT, FOOT PEDAL PLUG, EFX, 12 PC	270
CCNN025 - 050	SCREW,SKHD,1/4-20 X0.50,SS,LK	276
CCNN031 - 063	SCREW,SKHD, 5/16-18 X 5/8, SS,LK	277
CCNN031 - 200	SCREW,SKHD,5/16-18X2,SS,LK	278
KADN031 - 016	LOCKNUT,HALF,5/16-18,CAD PLT	279
WPNN031 - 007	WASHER,ID=5/16,OD=688,THK=.065	280
WPNN038 - 008	WASHER,FLT,5/16X.875X.104,SS	281
DFNT016 - 038	SCREW, SEMS, 8-32 X .375, HEX, SS	282
WAGNN062 - 001	WASHER, WAVE, .87 OD X .62 ID	283
ABHN017 - 001	RING, RETAINER, EXTERNAL	284
43191 - 101	ASSY,LINK,SECONDARY,C556	285
44512 - 101	ASSY, LINK, SECONDARY, PLASTIC	285
45484 - 101	PLASTIC MUSHROOM CAP	286
10114 - 101	CAP, PLASTIC, BLACK	301
ABHN017 - 001	RING, RETAINER, EXTERNAL	302
12103 - 101	CLAMP,CABLE,VINYL COATED	303
12240 - 101	CLAMP, CABLE	304